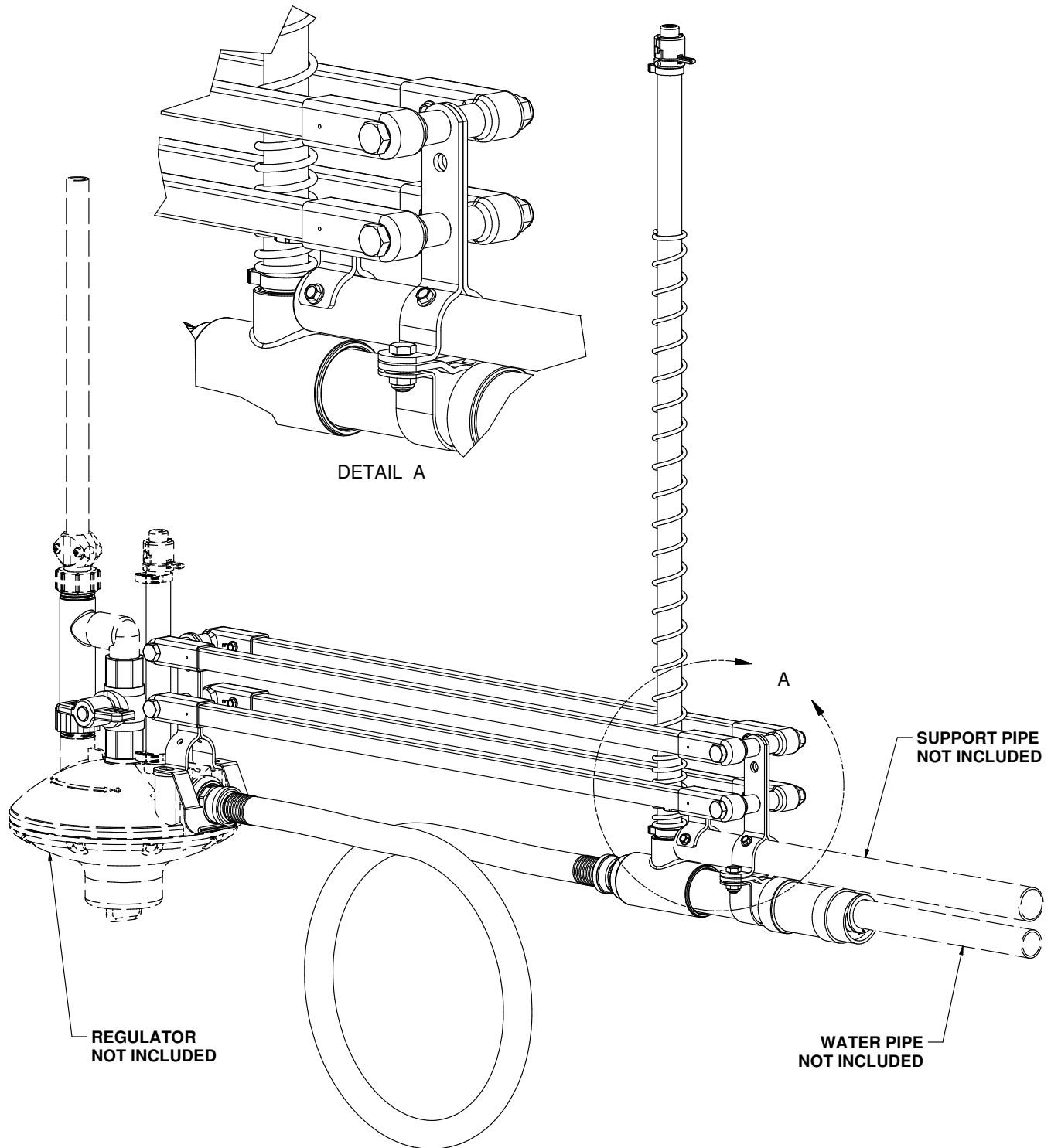


**Assembly Layout**

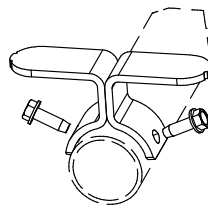
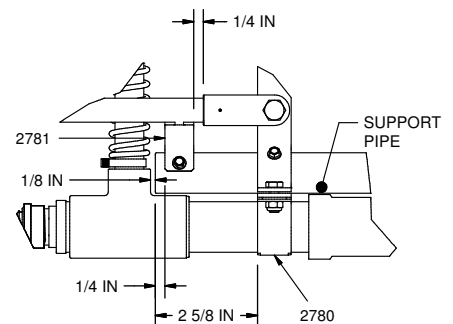
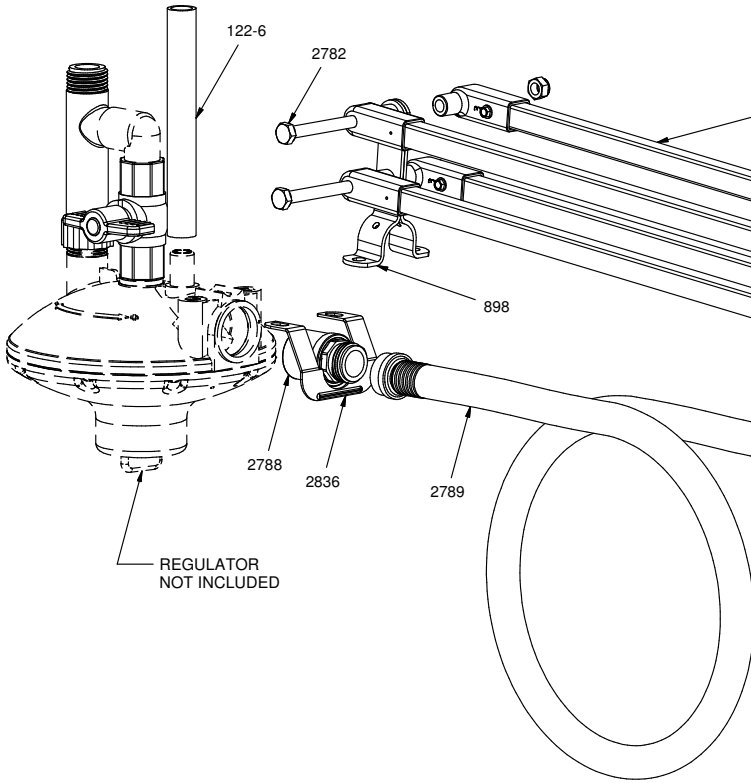
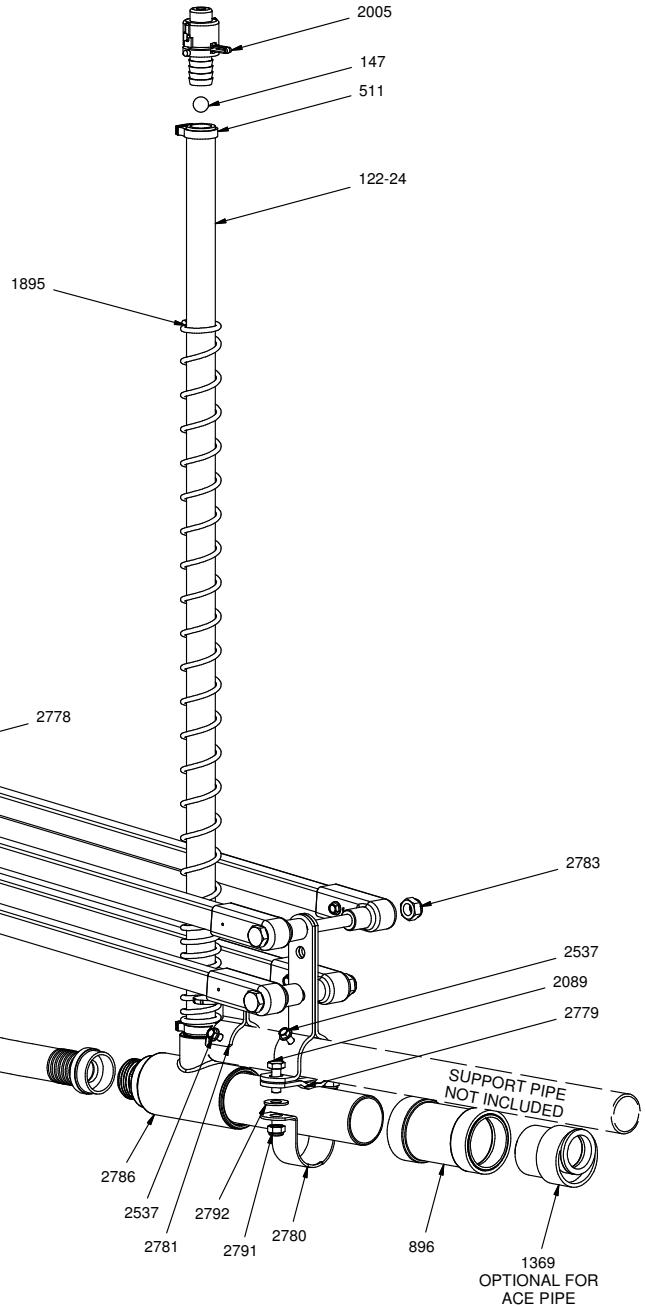


**CAUTION**

DO NOT ALLOW THIS ITEM TO COME INTO CONTACT WITH PETROLEUM, PHENOL OR ALDEHYDE BASED PRODUCTS OR ANY OTHER CORROSIVE PRODUCT IN GENERAL

# COMPONENTS

PART NR.	QTY	DESCRIPTION
122-24	1	RISER TUBE: 24" / 60 CM
122-6	1	RISER TUBE: 6" / 15 CM
1369	1	ADAPTER: BIG ACE SPIGOT X ACE SLIP
147	1	BALL: RISER TUBE
1895	1	SPRING: RISER TUBE
2005	1	RISER TUBE CAP
2089	2	FASTENER: BOLT HEX HD M6 X 1 X 16 LG
2537	3	FASTENER: SCREW HEX WHD SELF TAPPING #8-18 X 1/2" LG
2778	4	PRESSURE PRO ASSEMBLY PART: ROD UNIT
2779	1	PRESSURE PRO ASSEMBLY PART: AIR RELEASE STABILIZER BRACKET
2780	1	PRESSURE PRO ASSEMBLY PART: AIR RELEASE U-CLAMP
2781	1	PRESSURE PRO ASSEMBLY PART: ROD SUPPORT
2782	4	FASTENER: BOLT HEX HD PT M8 X 1.25 X 90 LG
2783	4	FASTENER: NUT LOCK HEX M8 X 1.25
2786	1	PRESSURE PRO ASSEMBLY PART: AIR RELEASE UNIT
2788	1	PRESSURE PRO ASSEMBLY PART: BIG ACE SPIGOT X MHT
2789	1	PRESSURE PRO ASSEMBLY PART: HOSE W/ FHT
2791	2	FASTENER: NUT LOCK HEX M6 X 1.00
2792	2	WASHER: METAL - 9/32" ID X 5/8" OD X 0.050" TH
2836	1	PRESSURE PRO ASSEMBLY PART: BUSHING RETAINING CLAMP
511	2	CLAMP: SNAP 0.746" - 0.848" DIA.
896	1	PIPE CONNECTOR: BIG ACE - BLACK
898	2	CLAMP: SUPPORT PIPE TO FLOOR REGULATOR



2781 ASSEMBLY

P.O. Box 1169  
 101 Industrial Parkway  
 Middlebury, Indiana  
 46540-1169, USA  
 Tel: + 1 574.825.5849  
 Fax: + 1 574.825.7674  
 Web: www.ziggity.com