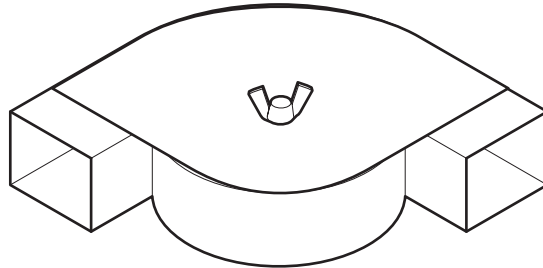

90° Champion Corner

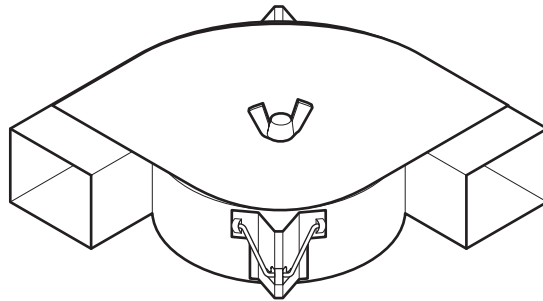
Replacement Parts Guide
Instr. # 15-10-9068 11/05

For the following:



Cage Corners
With Delrin Bushing:
15-10-5166

With Bronze Bushing:
15-10-5153

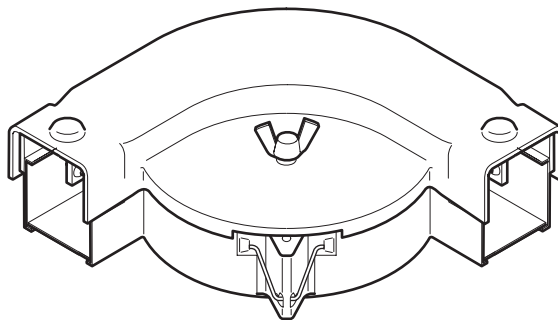


Floor Feeding Corners
With Delrin Bushing:
15-10-5063

With Bail: 15-10-5172

With Leg: 15-10-5171

With Bronze Bushing:
With Bail: 15-10-5057
With Leg: 15-10-5001



Hi-Top Floor Feeding Corners
With Delrin Bushing:

With Bail: 15-10-5174

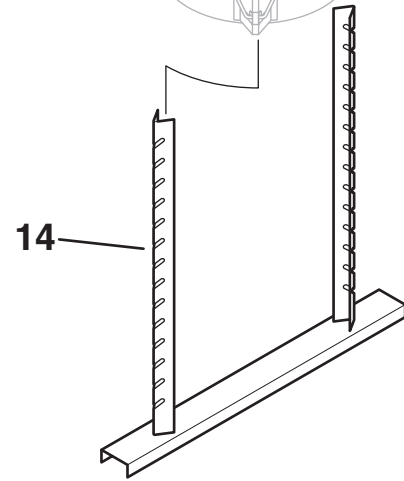
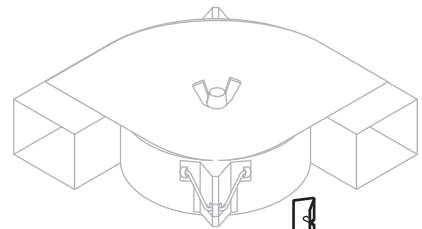
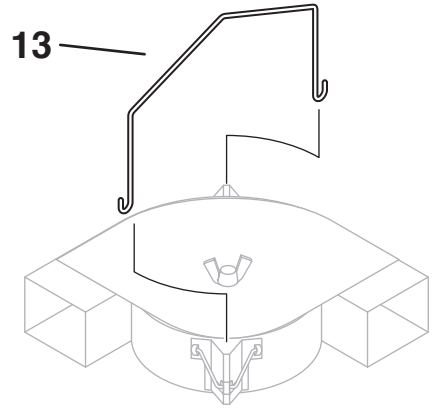
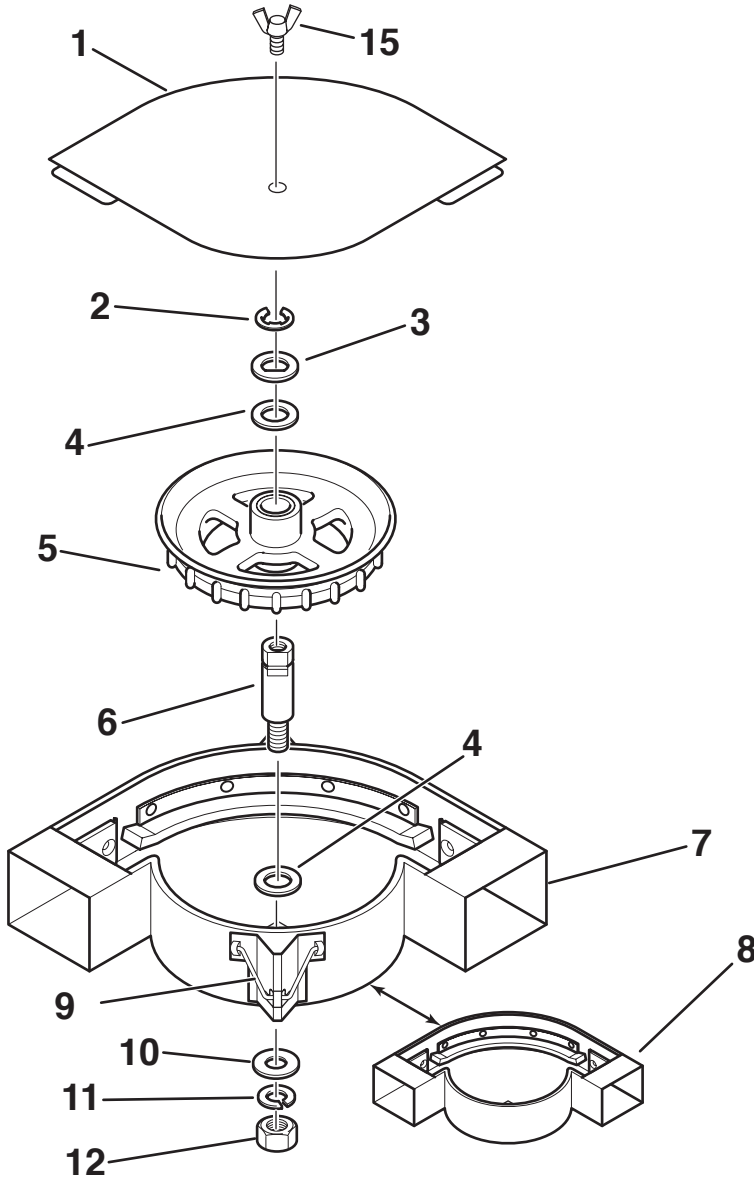
With Leg: 15-10-5173

With Bronze Bushing:
With Bail: 15-10-5064
With Leg: 15-10-5060



Big Dutchman

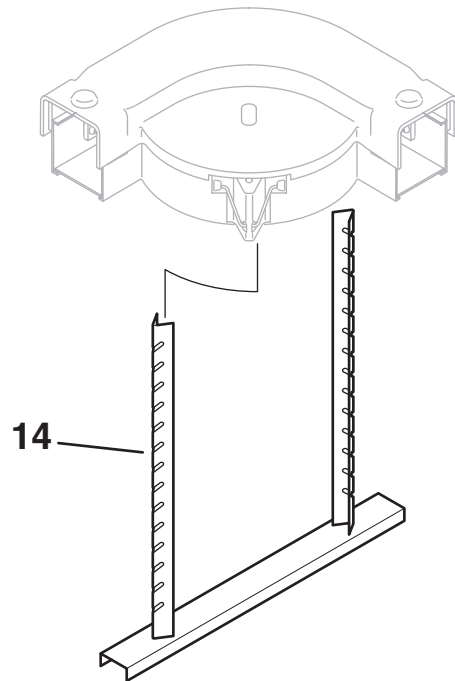
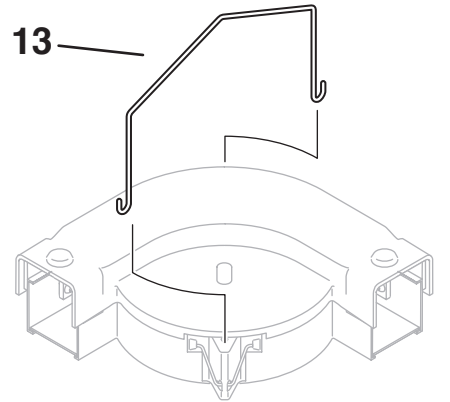
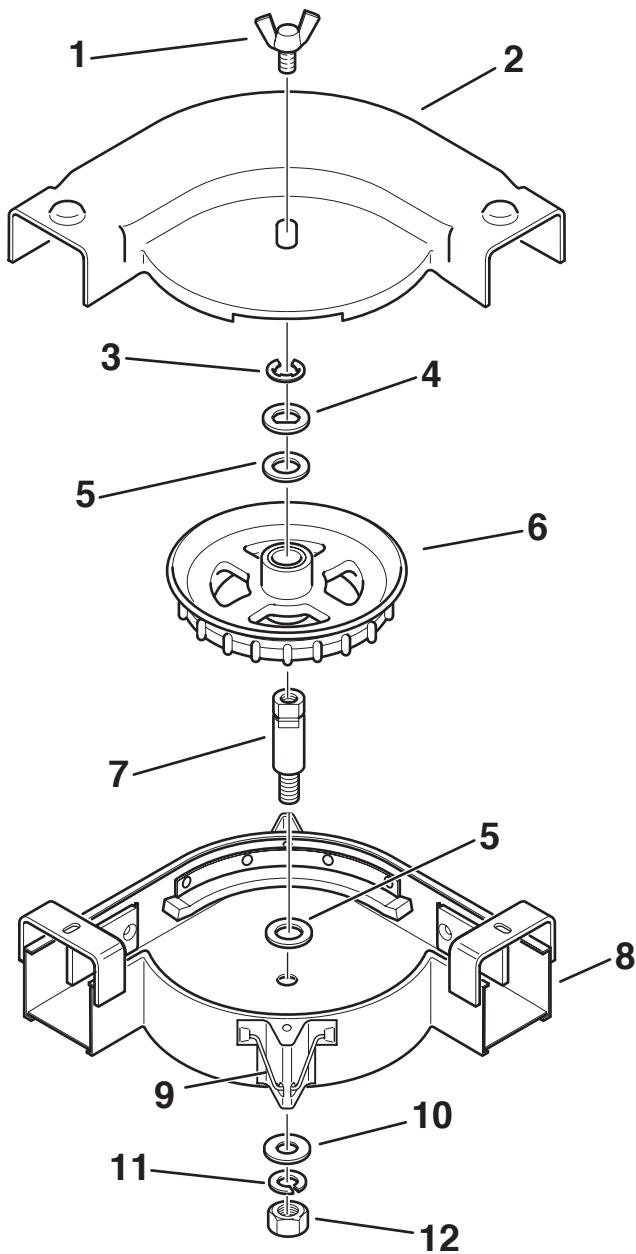
Champion Chain 90° Corner



Item#	Part#	Description
1	83-00-4430	Corner Cover
2	15-00-9004	Snap Ring
3	15-00-9010	Washer
4	99-20-0093	Fiber Washer
5	15-10-5167	Corner Wheel w/Delrin Bushing
5	15-00-0069	Corner Wheel w/Bronze Bushing
6	15-00-9011	Corner Post
7	15-10-9206	Cage Feeding Corner Body
8	15-10-9106	Floor Feeding Corner Body

Item#	Part#	Description
9	15-00-0204	Leg Clip F/Floor Feeding
10	99-20-0128	Washer, 1/2 in.
11	99-20-0090	Lock Washer, 1/2 in.
12	99-20-0105	Hex Nut, 1/2-13
13	15-10-9109	Bail For Corner
14	15-10-9041	Leg For Corner
15	99-10-0093	Wing Bolt, 3/8-16 x 1/2 in.

Champion Chain 90° Hi-Top Corner

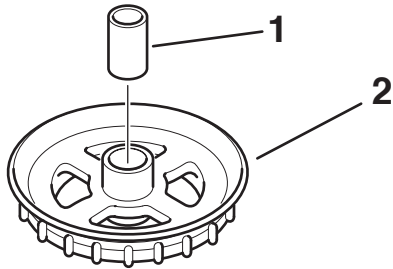


Item#	Part#	Description
1	99-10-0093	Wing Bolt, 3/8-16 X 1/2 in.
2	15-10-5062	High Top Corner Cover
3	15-00-9004	Snap Ring
4	15-00-9010	Washer
5	99-20-0093	Fiber Washer
6	15-10-5167	Corner Wheel w/Delrin Bushing
6	15-00-0069	Corner Wheel w/Bronze Bushing
7	15-00-9011	Corner Post

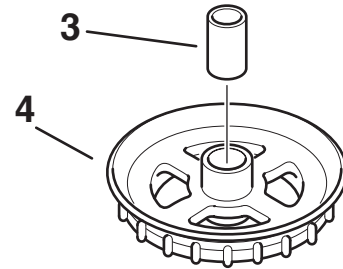
Item#	Part#	Description
8	15-10-5175	Hi Top Corner Body
9	15-00-0204	Leg Clip
10	99-20-0128	Washer, 1/2 in.
11	99-20-0090	Lock Washer, 1/2 in.
12	99-20-0105	Hex Nut, 1/2-13
13	15-10-9109	Bail For Corner
14	15-10-9041	Leg For Corner

Miscellaneous Corner Parts

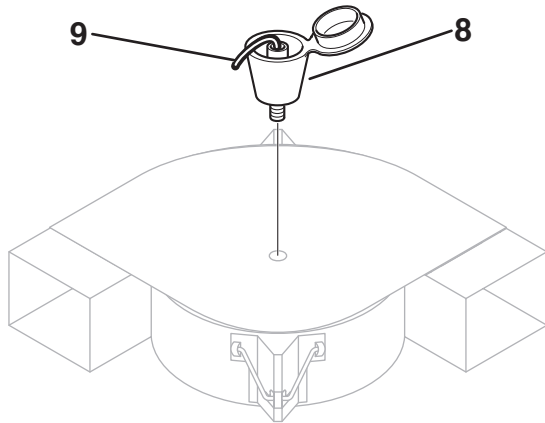
**Corner Wheel Assembly
W/Bronze Bushing
Part#15-00-0069**



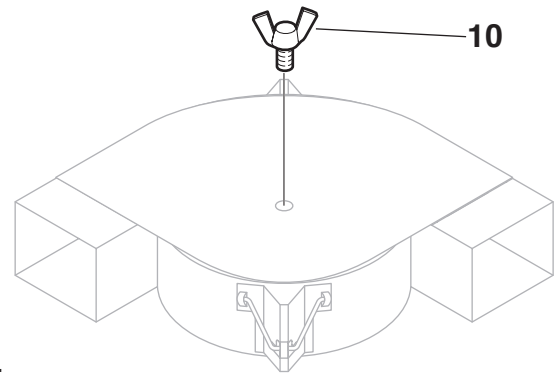
**Corner Wheel Assembly
W/Delrin Bushing
Part#15-10-5167**



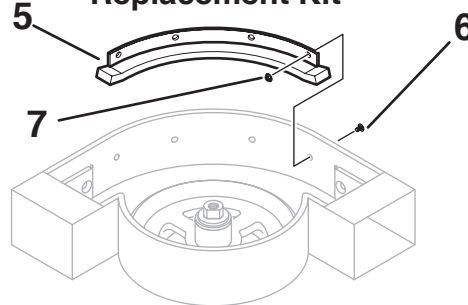
**Oil Cup Used Only With
Corner Wheel Assembly
W/Bronze Bushing
Part#15-00-0069**



**Wing Bolt Used Only With
Corner Wheel Assembly
W/Delrin Bushing
Part#15-10-5167**



**Heavy Duty
Hold Down Rail
Replacement Kit**



Item#	Part#	Description
1	15-00-0022	Bronze Bushing
2	15-00-0020	Corner Wheel F/Bronze Bushing
3	10-93-3218	Delrin Bushing
4	15-10-5168	Corner Wheel F/Delrin Bushing
5	15-10-9075	Hold Down Rail
6	99-10-0481	Carriage Bolt, 1/4-20 X 1/2 in.
7	99-20-0394	Hex Flange Nut, 1/4-20
8	15-00-0198	Oil Cup
9	15-00-0199	Wick
10	99-10-0093	Wing Bolt, 3/8-16 X 1/2 in.



Big Dutchman®

Germany

P.O. Box 11 63 · D-49360 Vechta · Germany
tel +49 (0) 44 47 801 0 · fax +49 (0) 44 47 801 237
www.bigdutchman.com · big@bigdutchman.de

Asia-Pacific

No. 25 Jalan Pemberita (U1/49), Temasya Industrial Park
40150 Shah Alam · Selangor Darul Ehsan · Malaysia
tel +603 5569 2320 · fax +603 5569 5930
bdasia@bda.com.my

USA

P.O. Box 1017 · Holland, MI 49422-1017 · USA
tel +1 616 392 5981 · fax +1 616 392 6188
www.bigdutchman.com · bigd@bigdutchmanusa.com

Brazil

Caixa Postal 84 · Rua Victório Milani, 125
Caxias do Sul, RS 95095-107 · Brasil
tel +55 (0) 54 226 2200 · fax +55 (0) 54 226 1424
www.bigdutchman.com.br · bigdutchmanbrasil@bigdutchman.c